

SA85 GNSS Antenna

GNSS Geodetic
Antenna



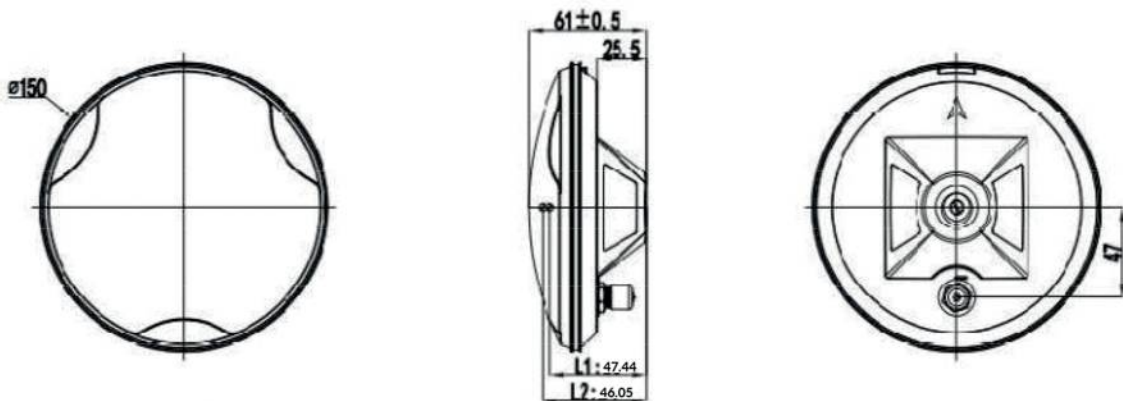
SA85 TECHNICAL FEATURES

GNSS Geodetic Antenna

SA85 is a compact GNSS geodetic antenna, perfect as a rover antenna, but with adequate performance for CORS installation and monitoring applications. It can track all constellations, GPS, GLONASS, GALILEO, BEIDOU, QZSS, IRNSS and receives L-band correction. The SA85 has good phase center stability, effectively improves measurement accuracy and provides excellent positioning solutions. It is compatible with all GNSS geodetic receivers on the market and can be used for all static and kinematic measurement applications. The ability to receive low-elevation signals with high gain enables it to provide accurate and reliable position even under difficult conditions.

The SA85 is lightweight, with only 450g it is one of the lightest in its class, so it can be easily installed on a pole to be connected to an external GNSS.

PERFORMANCE		MECHANICAL	
Satellite signals tracked	GPS: L1, L2, L5	Dimensions	Ø 150 x 61mm
	GLONASS: L1, L2, L3	Connector	TNC
	BEIDOU: B1, B2, B3	Mounting	5/8" x 11 (British system)
	GALILEO: E1, E5a, E5b, E6	Weight	450g
	QZSS: L1, L2, L5, L6		
	IRNSS: L5		
	SBAS: L1, L5		
Type	Geodetic Antenna	ENVIRONMENTAL	
Phase Center Stability	± 2 mm	Operating Temperature	-40°C to 85°C (-40°F to 185°F)
Nominal Impedance	50Ω	Storage Temperature	-55°C to 85°C (-67°F to 185°F)
Polarization	RHCP	Humidity	95% non-condensing
Axial Ratio	≤3dB	Waterproof/Dustproof	IP67
Peak Gain	5.5dBi	CALIBRATION	
LNA Gain	40dB (typical)	NGS	Yes
Noise Figure	≤1.8dB	IGS	No
Output/Input VSWR	≤2		
Operation Voltage	3.3DC ~ 12V		
Operation Current	≤50mA		
Group Delay Ripple	≤5ns		



Illustrations, descriptions and technical specifications are not binding and may change



STONEX®
Viale dell'Industria 53 - 20037 Paderno Dugnano (MI) - Italy
Phone +39 02 78619201
www.stonex.it | info@stonex.it